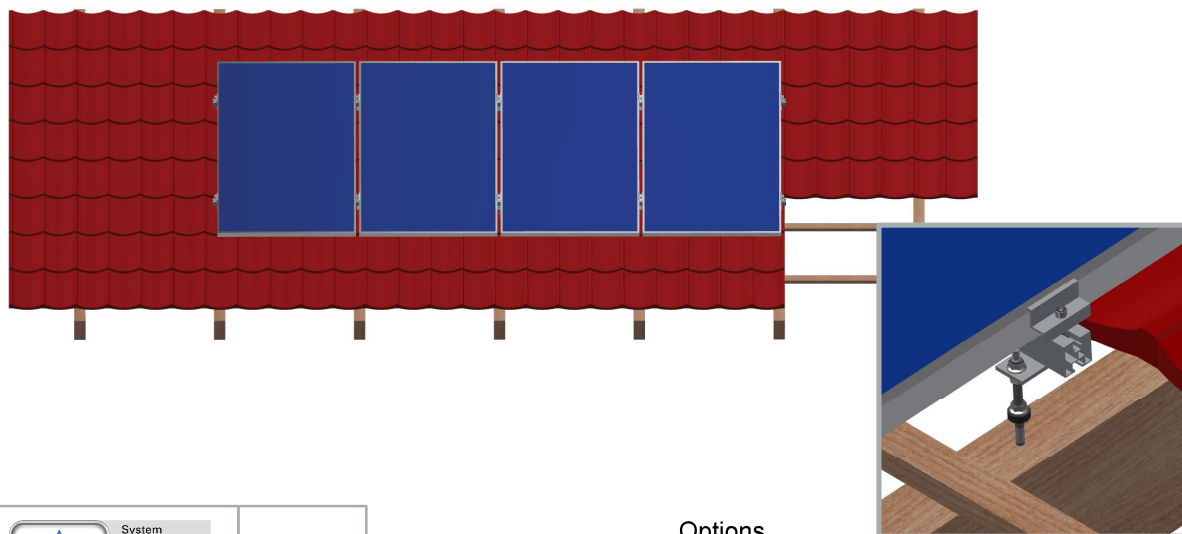


System ELPUK SR-AL V SDM



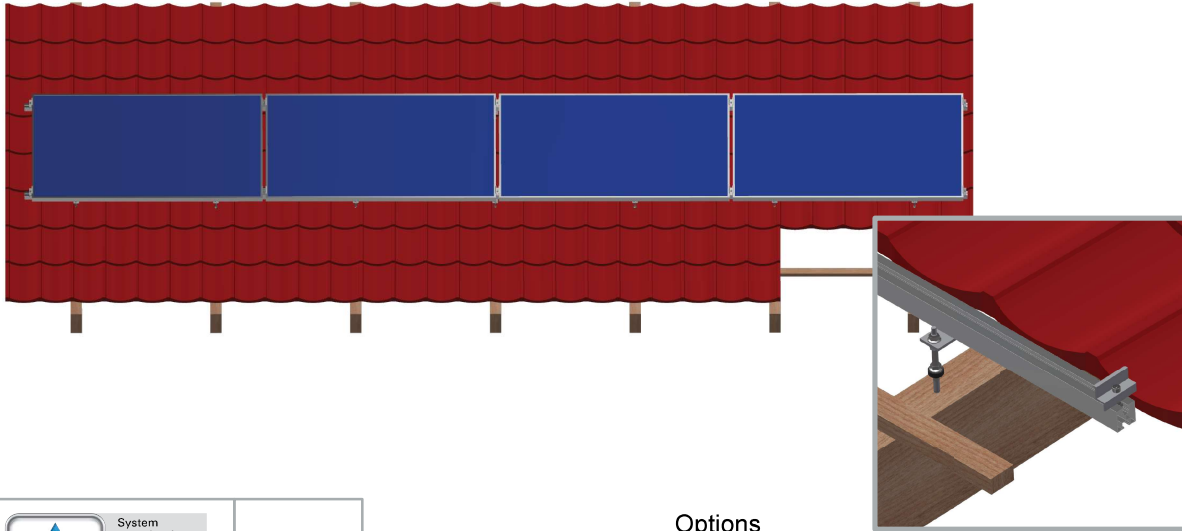
Informations

- Material
aluminium and stainless steel
- Fasteners
class 70 screws stainless steel ASTM 304
- Modules mounting
clamps aluminium 6060
screws, nuts and washers ASTM 304
- Panels mounted on long side

Options

- Suitable for glass modules
- Cable tray management system
- Different double-threaded screws sizes
- Black module clamps

System ELPUK SR-AL H SDM



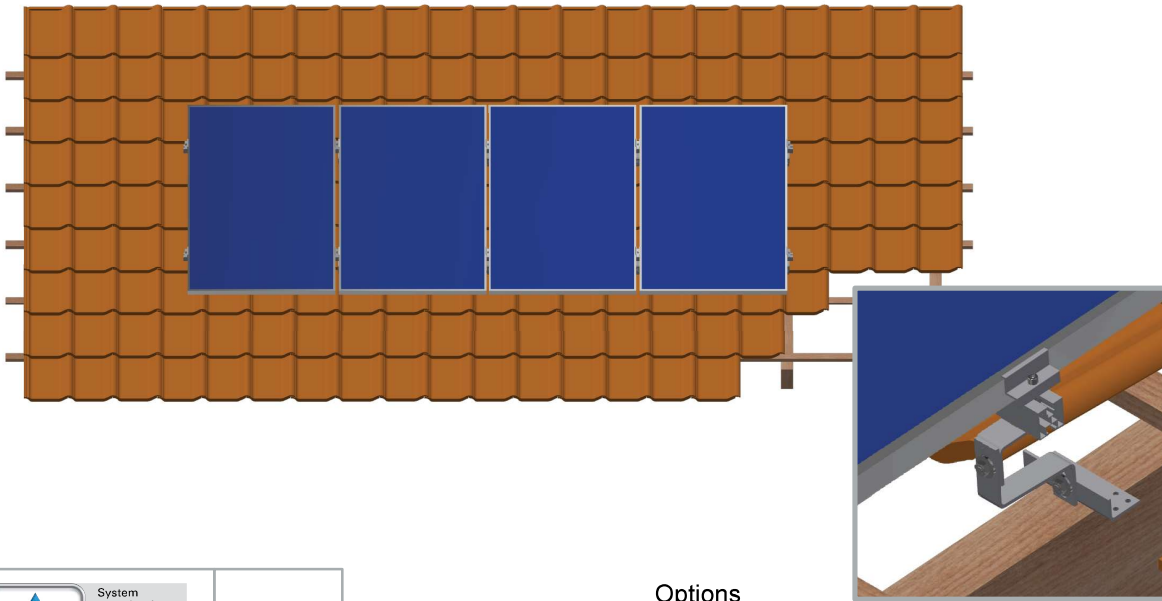
Informations

- Material
aluminium and stainless steel
- Fasteners
class 70 screws stainless steel ASTM 304
- Modules mounting
clamps aluminium 6060
screws, nuts and washers ASTM 304
- Panels mounted on short side

Options

- Suitable for glass modules
- Cable tray management system
- Different double-threaded screws sizes
- Black module clamps

System ELPUK SR-AL V SDC



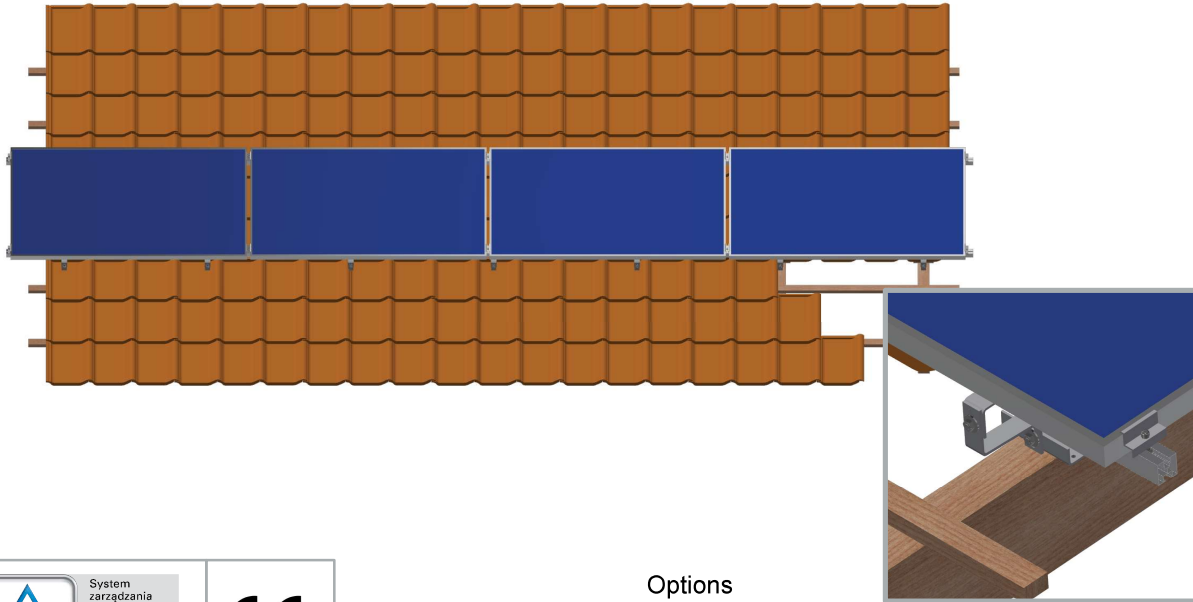
Informations:

- Material
aluminium and stainless steel
- Fasteners
class 70 screws stainless steel ASTM 304
- Modules mounting
clamps aluminium 6060
screws, nuts and washers ASTM 304
- Panels mounted on long side

Options

- Suitable for glass modules
- Cable tray management system
- Black module clamps
- Possible to mount modules on longer side

System ELPUK SR-AL H SDC



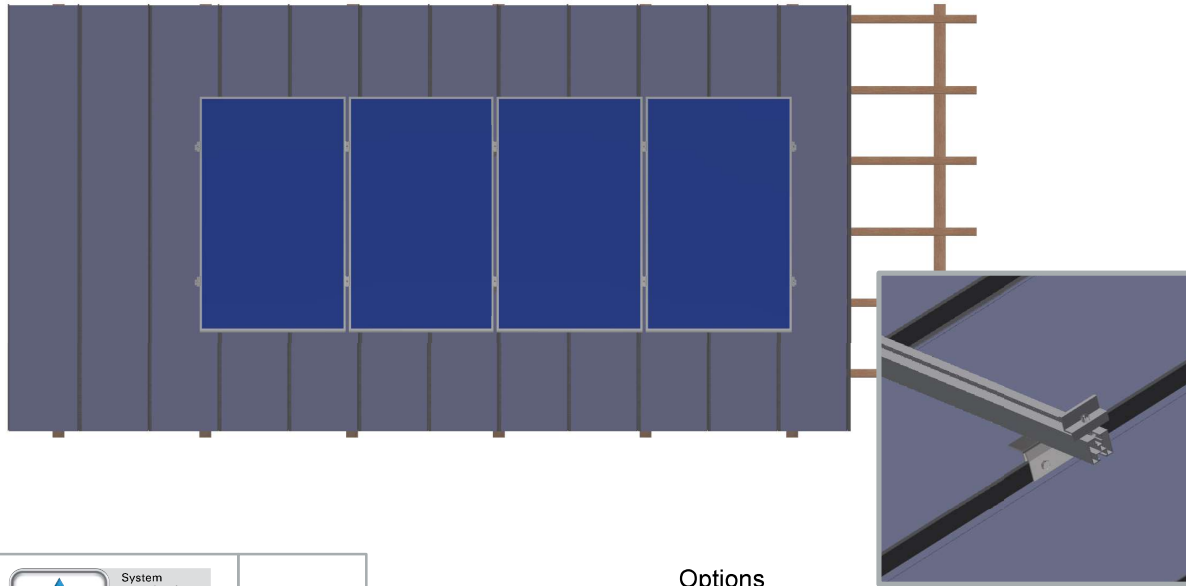
Informations:

- Material
aluminium and stainless steel
- Fasteners
class 70 screws stainless steel ASTM 304
- Modules mounting
clamps aluminium 6060
screws, nuts and washers ASTM 304
- Panels mounted on short side

Options

- Suitable for glass modules
- Cable tray management system
- Black module clamps
- Possible to mount modules on longer side

System ELPUK SR-AL V SDR



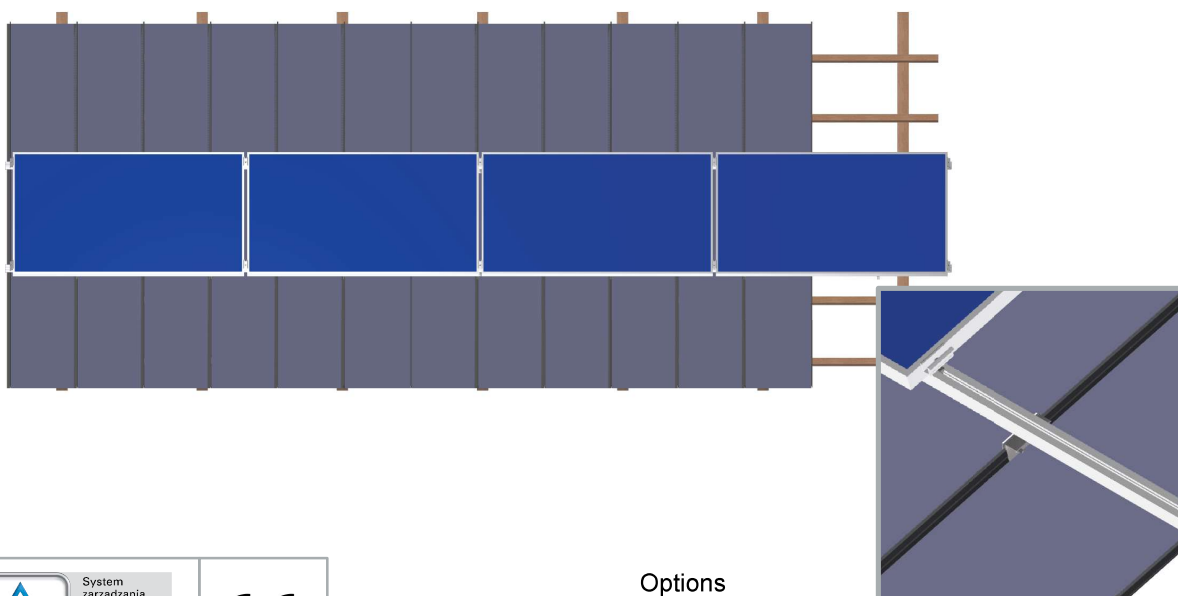
Informations:

- Material
aluminium and stainless steel
- Fasteners
class 70 screws stainless steel ASTM 304
- Modules mounting
clamps aluminium 6060
screws, nuts and washers ASTM 304
- Panels mounted on long side

Options

- Suitable for glass modules
- Cable tray management system
- Black module clamps

System ELPUK SR-AL H SDR



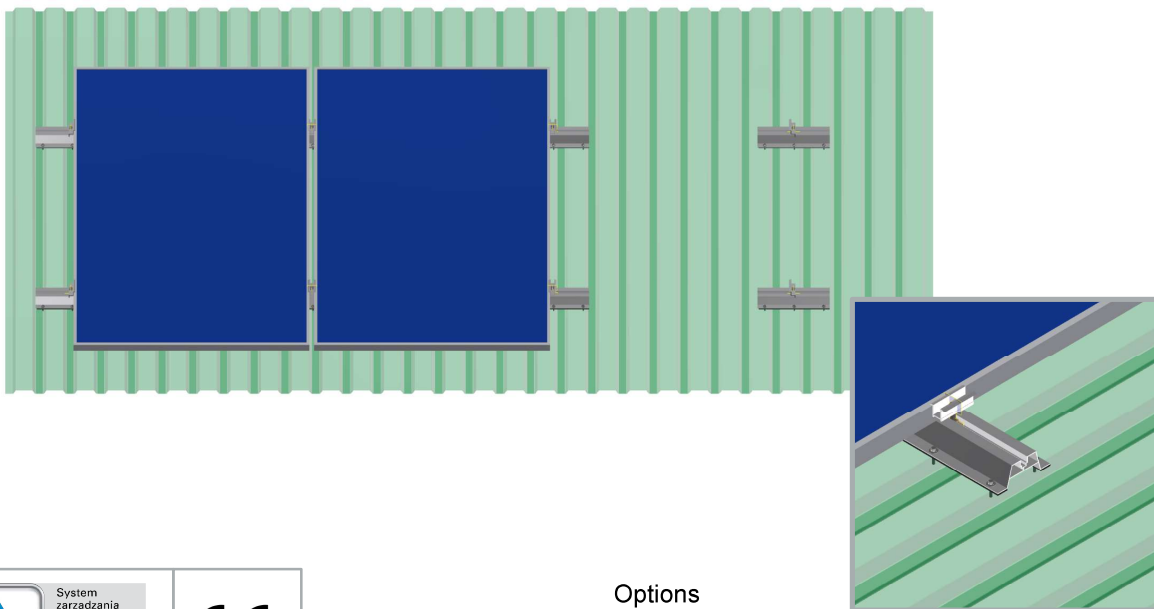
Informations:

- Material
aluminium and stainless steel
- Fasteners
class 70 screws stainless steel ASTM 304
- Modules mounting
clamps aluminium 6060
screws, nuts and washers ASTM 304
- Panels mounted on long side

Options

- Suitable for glass modules
- Cable tray management system
- Black module clamps

System ELPUK SR-AL V SDT

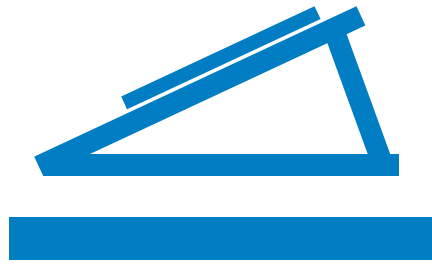


Informations:

- Material
aluminium and stainless steel
- Fasteners
class 70 screws stainless steel ASTM 304
- Modules mounting
clamps aluminium 6060
screws, nuts and washers ASTM 304
- Panels mounted on long side

Options

- Suitable for glass modules
- Cable tray management system
- Black module clamps



Flat roof

Support system

System ELPUK FR-AL V

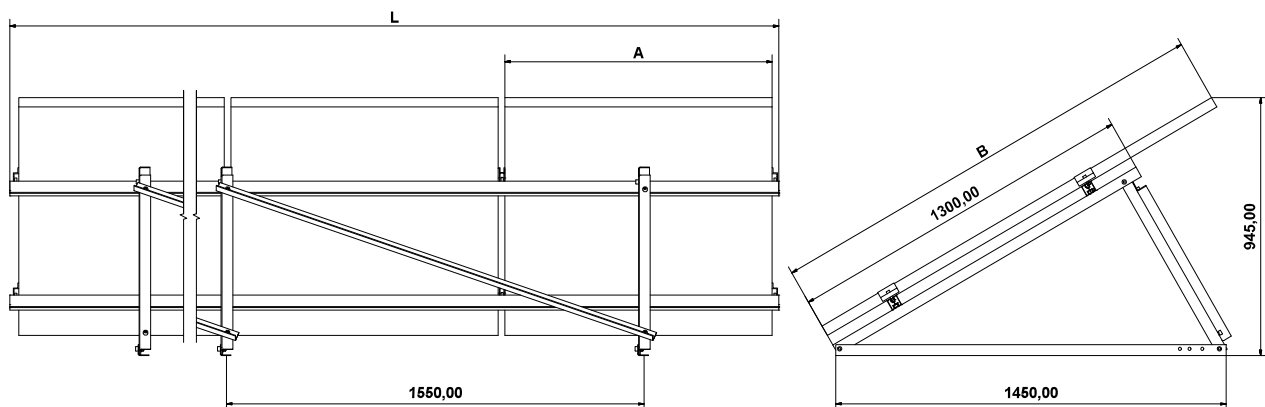


Informations:

- Material
aluminium and stainless steel
- Fasteners
class 70 screws stainless steel ASTM 304
- Modules mounting
clamps aluminium 6060
screws, nuts and washers ASTM 304
- Panels mounted on long side
- Maximum panel height for vertical mounting 1700 mm

Options:

- Suitable for glass modules
- Cable tray management system
- Tilt angle 15-30°
- Mechanical, chemical anchors for roof mounting



System ELPUK FR-AL H

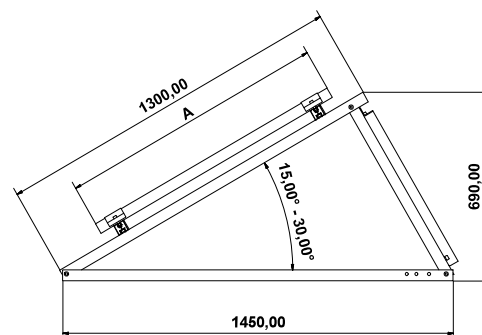
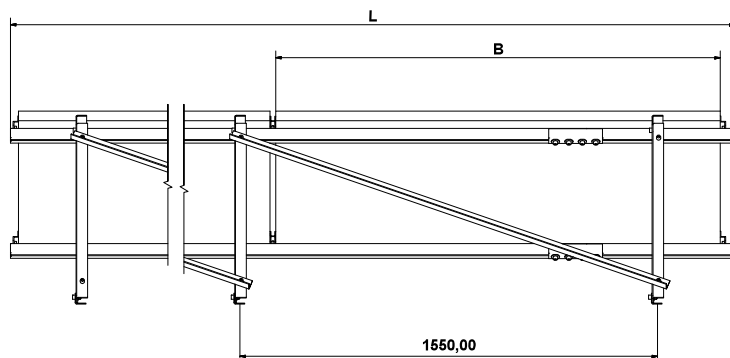


Informations:

- Material
aluminium and stainless steel
- Fasteners
class 70 screws stainless steel ASTM 304
- Modules mounting
clamps aluminium 6060
screws, nuts and washers ASTM 304
- Panels mounted on short side

Options:

- Suitable for glass modules
- Cable tray management system
- Tilt angle 15-30°
- Mechanical, chemical anchors for roof mounting



System ELPUK FR-AL B V

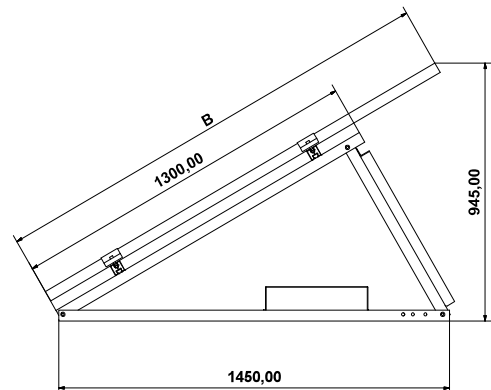
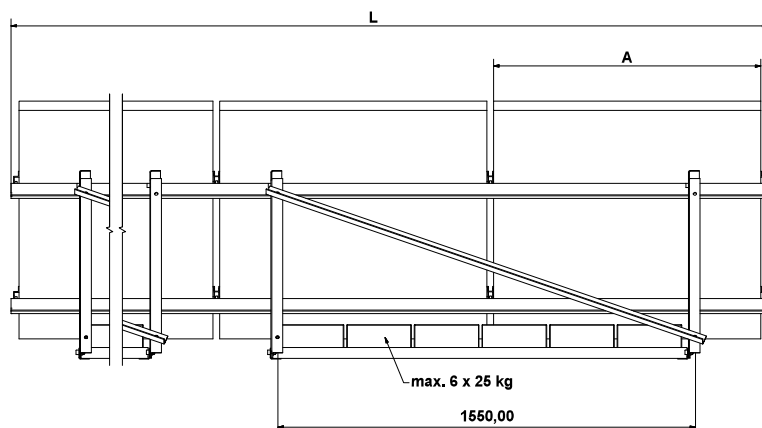


Informations:

- Material
aluminium and stainless steel
- Fasteners
class 70 screws stainless steel ASTM 304
- Modules mounting
clamps aluminium 6060
screws, nuts and washers ASTM 304
- Panels mounted on longer side
- Up to 150 kg of ballast

Options:

- Suitable for glass modules
- Cable tray management system
- Tilt angle 15-30°
- Ballast blocks 380x240x120 mm 25 kg



System ELPUK FR-AL B H

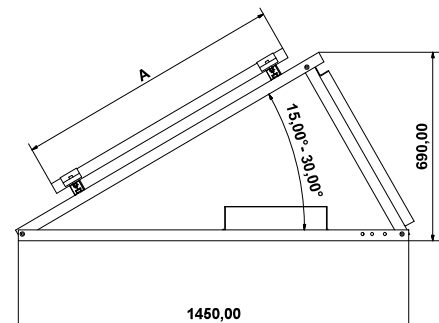
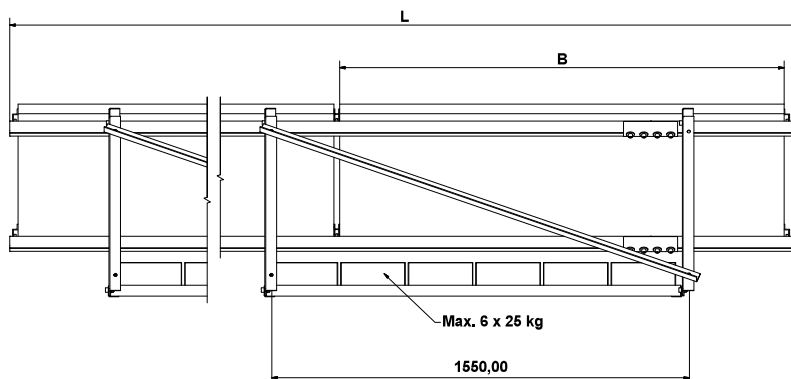


Informations:

- Material
aluminium and stainless steel
- Fasteners
class 70 screws stainless steel ASTM 304
- Modules mounting
clamps aluminium 6060
screws, nuts and washers ASTM 304
- Panels mounted on short side
- Up to 150 kg of ballast

Options:

- Suitable for glass modules
- Cable tray management system
- Tilt angle 15-30°
- Ballast blocks 380x240x120 mm 25 kg

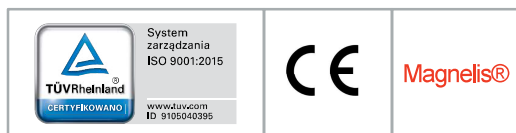
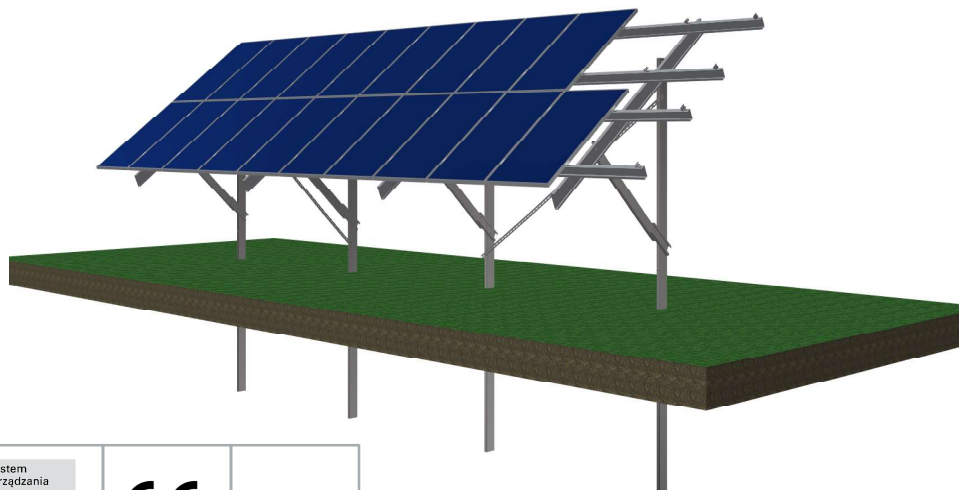




Ground Mounted

Support system

System ELPUK GM-1P 2V

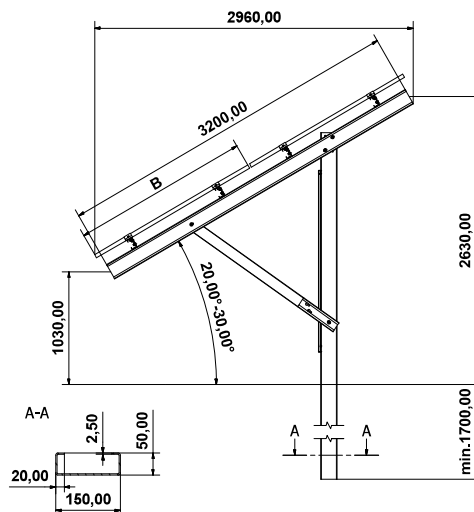
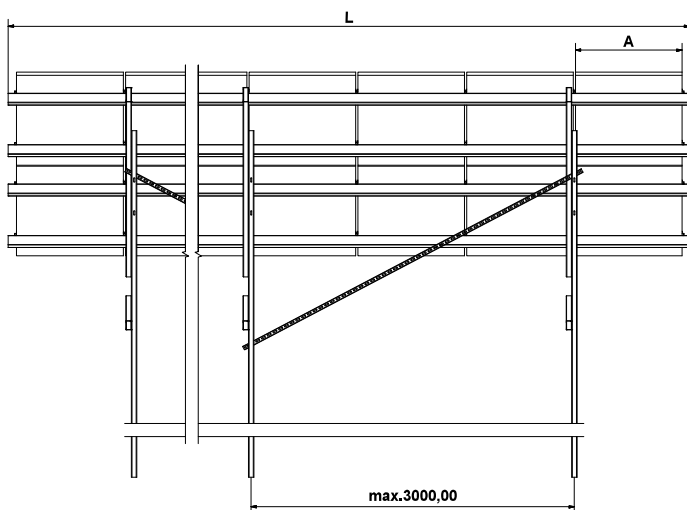


Informations:

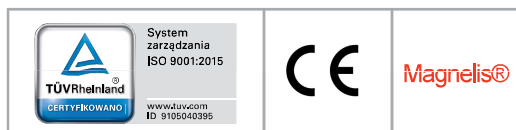
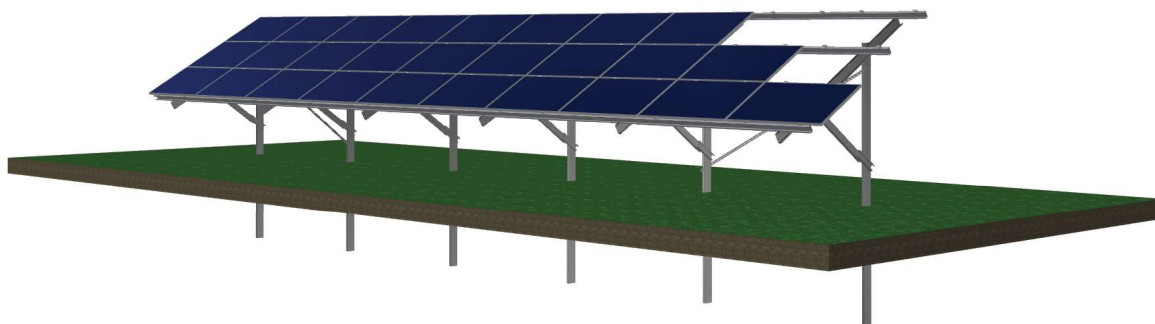
- **Material:**
structural steel of increased strength S320GD with anti-corrosion magnelis® coating acc. EN 10346, or hot dip galvanised acc. EN 1461
- **Construction fasteners:**
bolts class 8.8 hot dip galvanised acc. EN 1461
- **Panel mounting:**
clamps aluminium 6060
screws, nuts and washers ASTM 304

Options:

- Inverter mounting profiles
- Head plate mounting system for concrete
- Cable tray management system
- Tilt angle 20-30°



System ELPUK GM-1P 3H

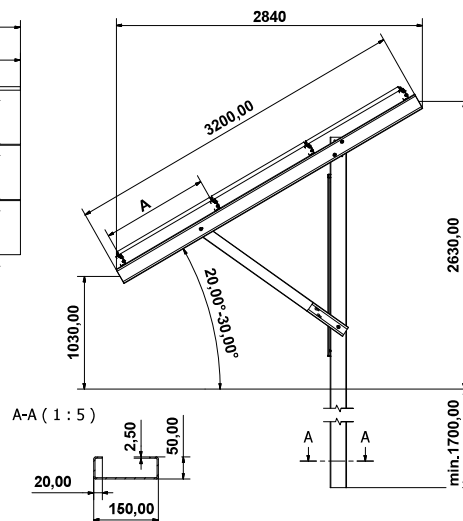
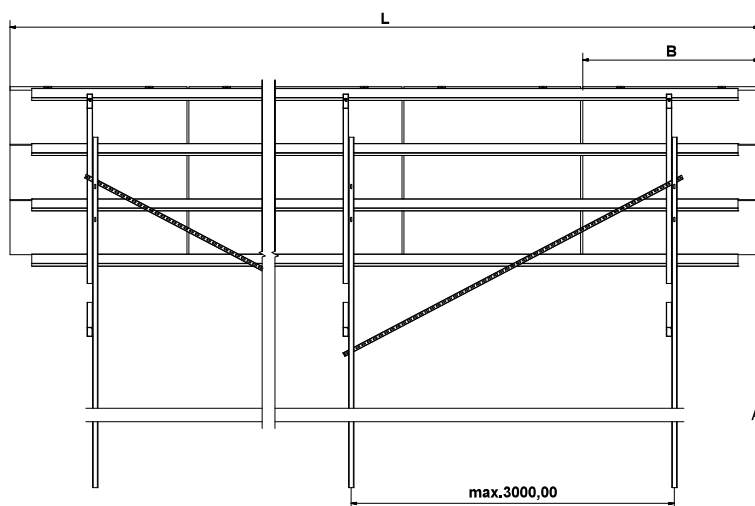


Informations:

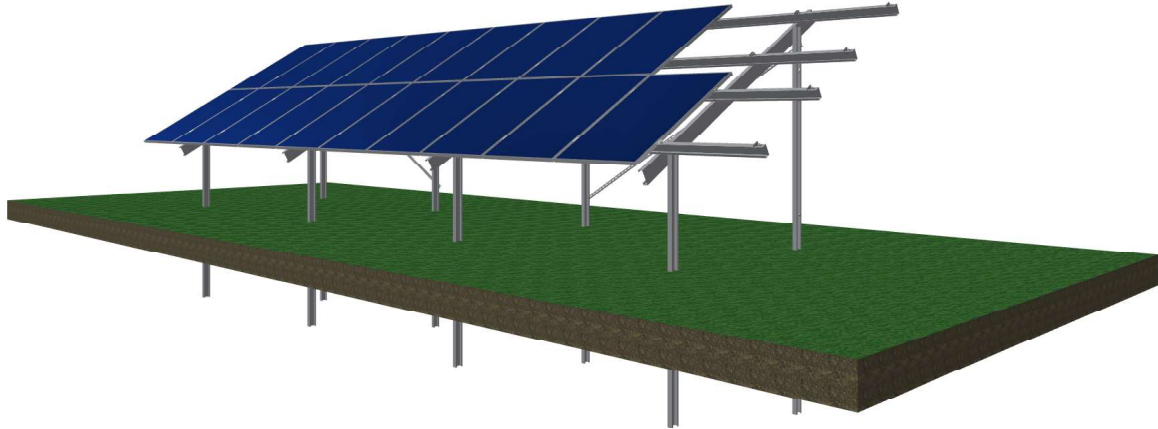
- **Material:**
structural steel of increased strength S320GD with anti-corrosion magnelis® coating acc. EN 10346, or hot dip galvanised acc. EN 1461
- **Construction fasteners:**
bolts class 8.8 hot dip galvanised acc. EN 1461
- **Panel mounting:**
clamps aluminium 6060
screws, nuts and washers ASTM 304

Options:

- Inverter mounting profiles
- Head plate mounting system for concrete
- Cable tray management system
- Tilt angle 20-30°



System ELPUK GM-2P 2V

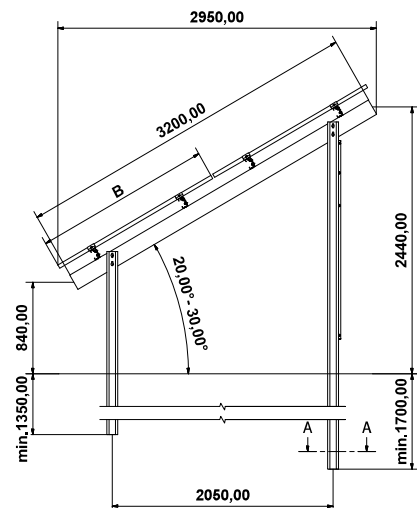
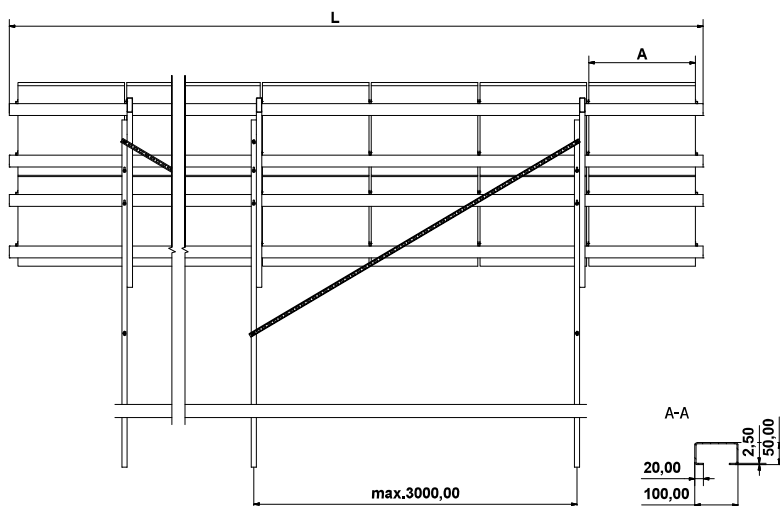


Informations:

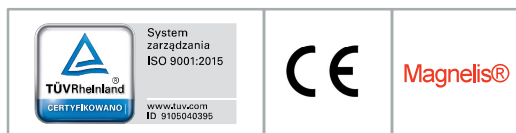
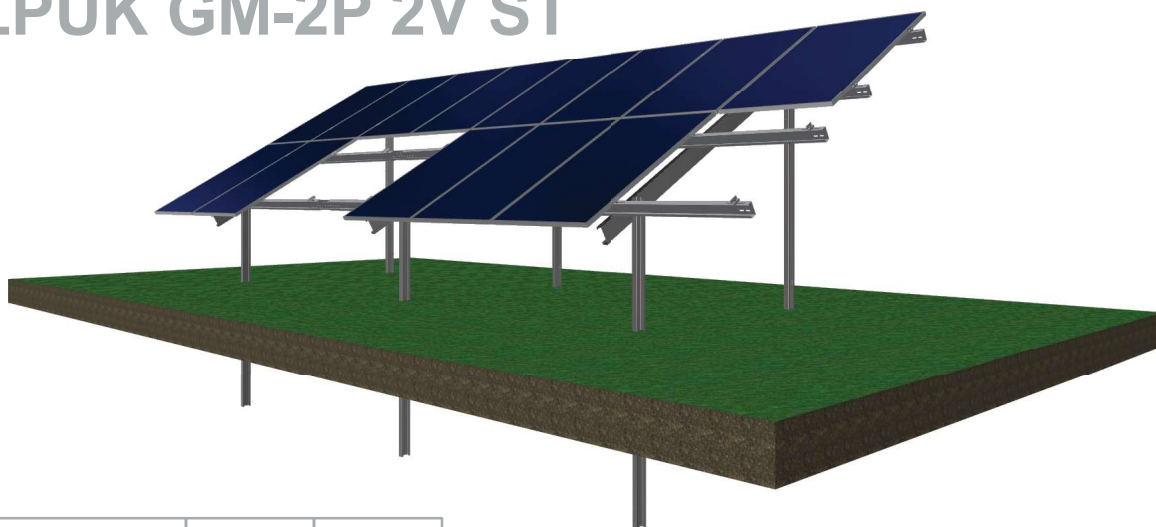
- **Material:**
structural steel of increased strength S320GD with anti-corrosion magnelis® coating acc. EN 10346, or hot dip galvanised acc. EN 1461
- **Construction fasteners:**
bolts class 8.8 hot dip galvanised acc. EN 1461
- **Panel mounting:**
clamps aluminium 6060
screws, nuts and washers ASTM 304

Options:

- Inverter mounting profiles
- Head plate mounting system for concrete
- Cable tray management system
- Tilt angle 20-30°



System ELPUK GM-2P 2V ST

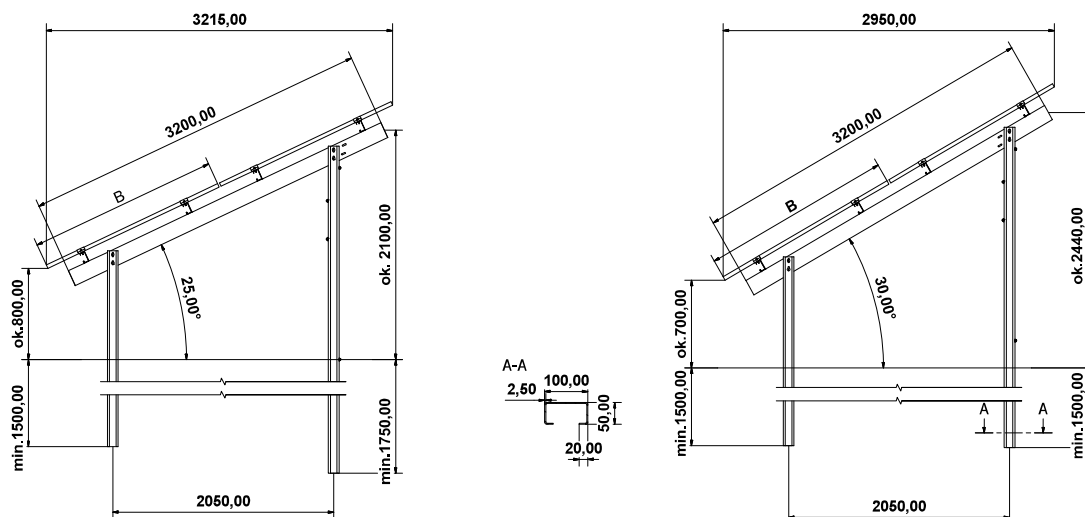


Informations:

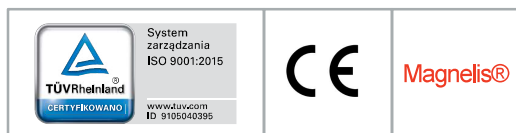
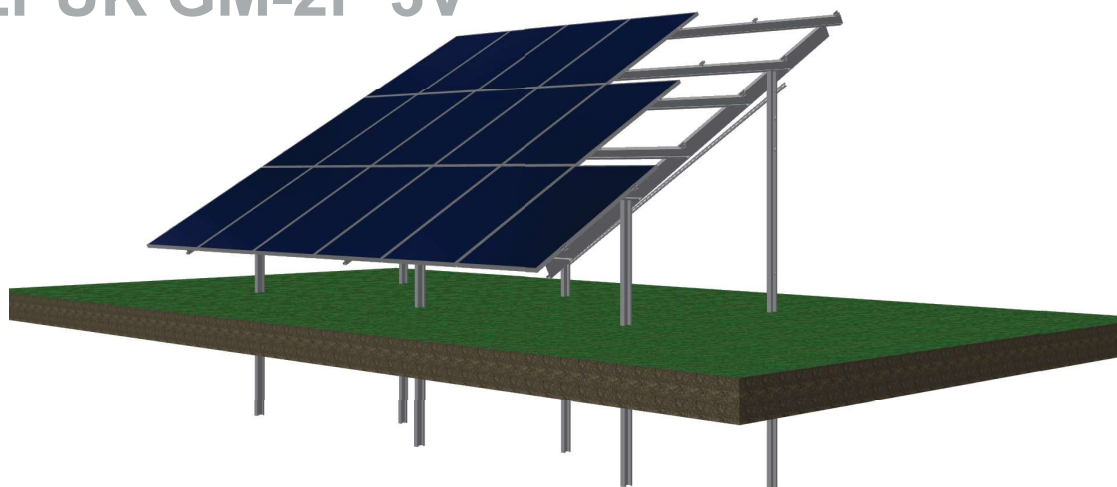
- **Material:**
structural steel of increased strength S320GD with anti-corrosion magnelis® coating acc. EN 10346, or hot dip galvanised acc. EN 1461
- **Construction fasteners:**
bolts class 8.8 hot dip galvanised acc. EN 1461
- **Panel mounting:**
clamps aluminium 6060
screws, nuts and washers ASTM 304
- **Suitable for a range of module size**
- For micro investments - available on stock in continuous sale

Options:

- Inverter mounting profiles
- Head plate mounting system for concrete
- Cable tray management system
- Tilt angle 20-30°



System ELPUK GM-2P 3V

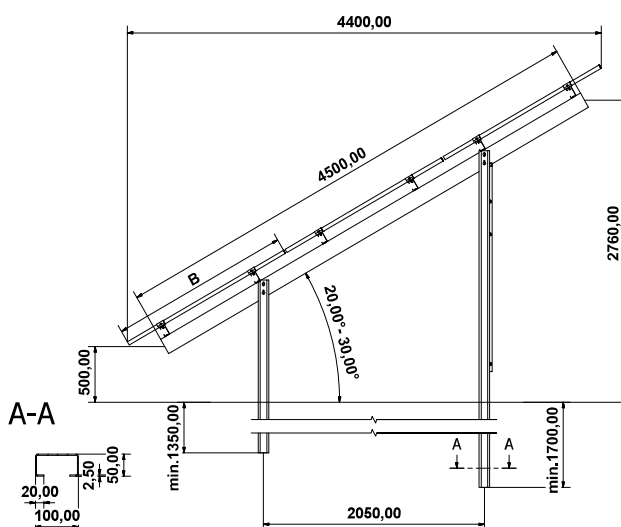
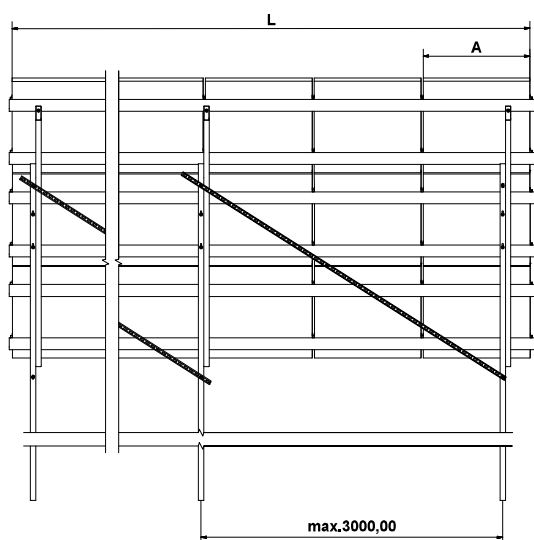


Informations:

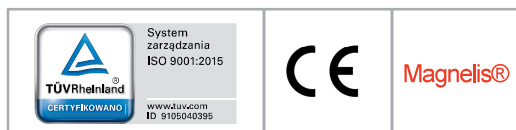
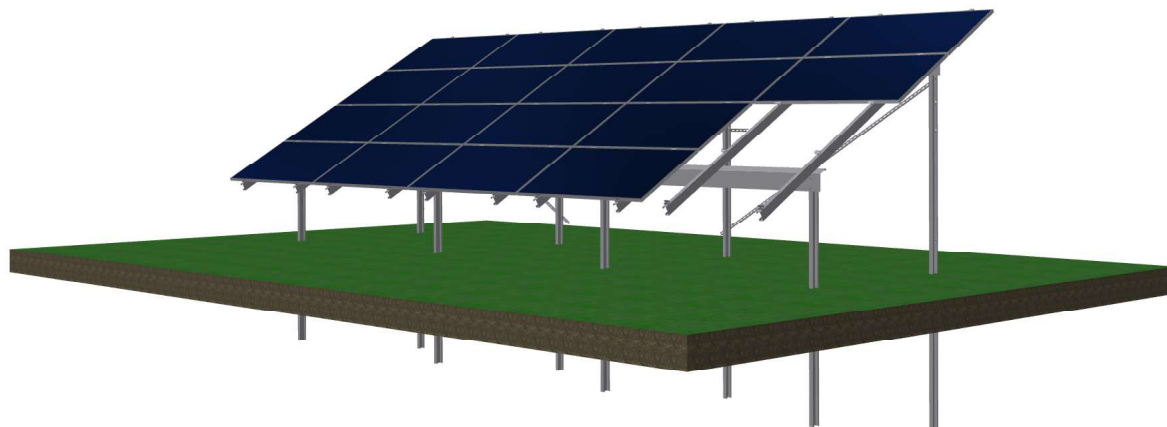
- **Material:**
structural steel of increased strength S320GD with anti-corrosion magnelis® coating acc. EN 10346, or hot dip galvanised acc. EN 1461
- **Construction fasteners:**
bolts class 8.8 hot dip galvanised acc. EN 1461
- **Panel mounting:**
clamps aluminium 6060
screws, nuts and washers ASTM 304

Options:

- Inverter mounting profiles
- Head plate mounting system for concrete
- Cable tray management system
- Tilt angle 20-30°



System ELPUK GM-2P 4HL

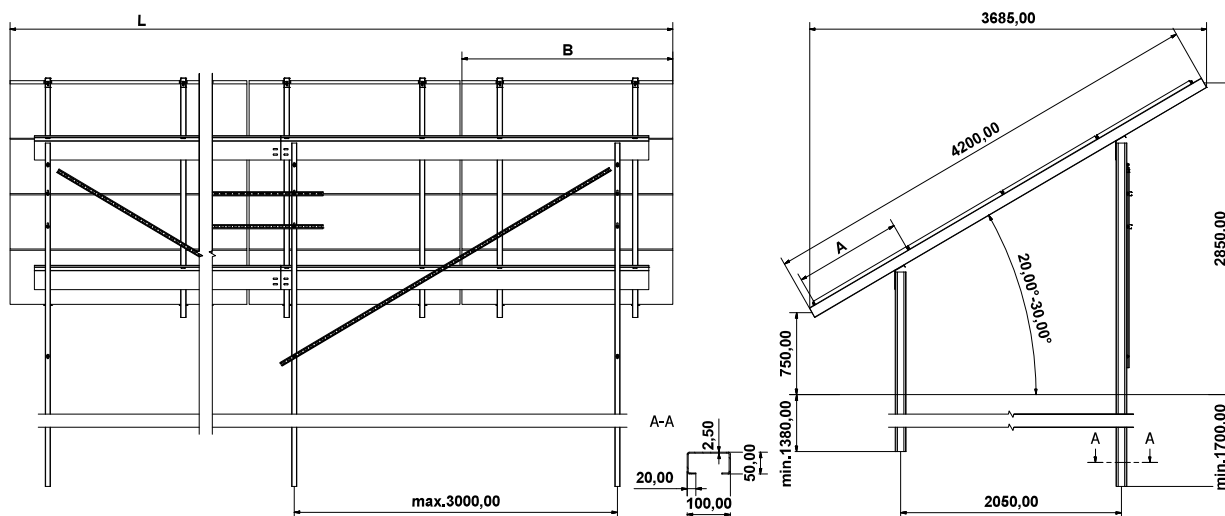


Informations:

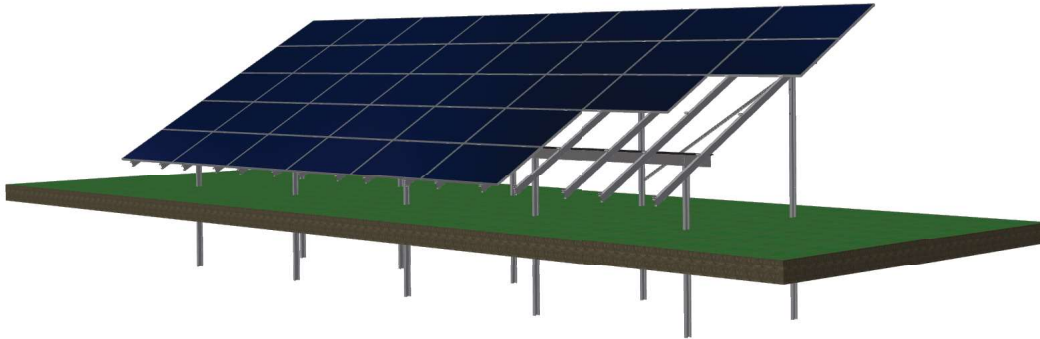
- **Material:**
structural steel of increased strength S320GD with anti-corrosion magnelis® coating acc. EN 10346, or hot dip galvanised acc. EN 1461
- **Construction fasteners:**
bolts class 8.8 hot dip galvanised acc. EN 1461
- **Panel mounting:**
clamps aluminium 6060
screws, nuts and washers ASTM 304

Options:

- Inverter mounting profiles
- Head plate mounting system for concrete
- Cable tray management system
- Tilt angle 20-30°



System ELPUK GM-2P 5HL

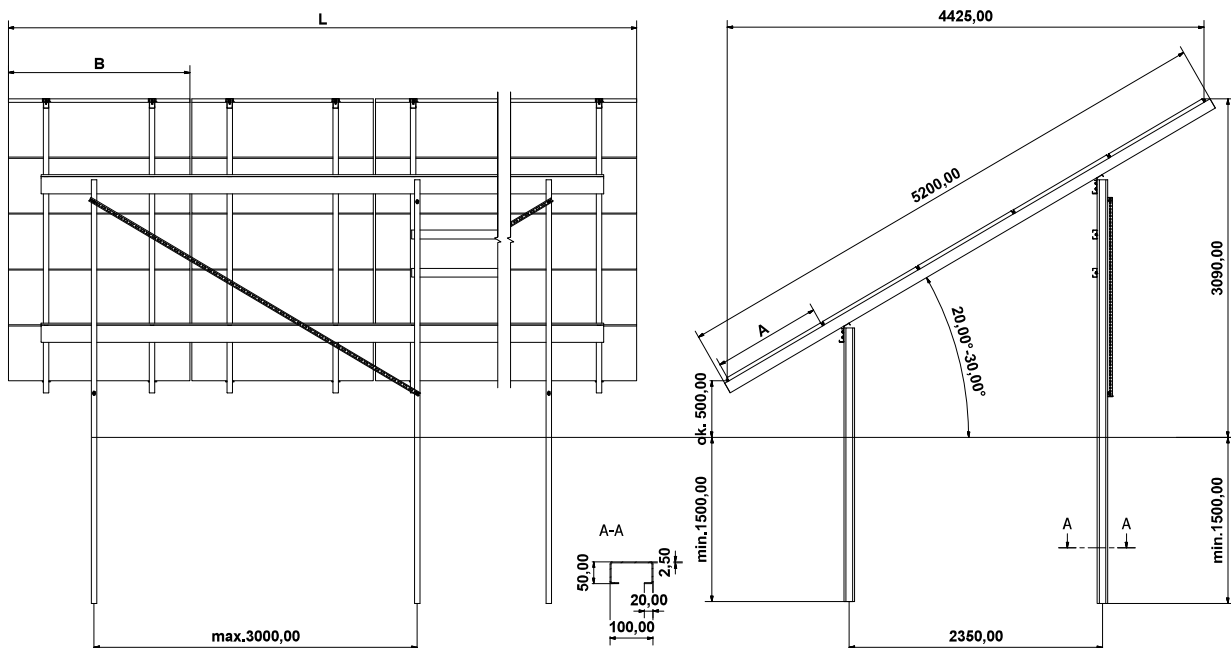


Informations:

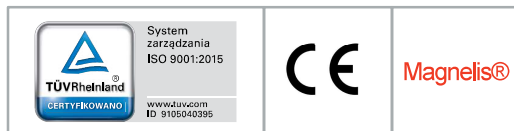
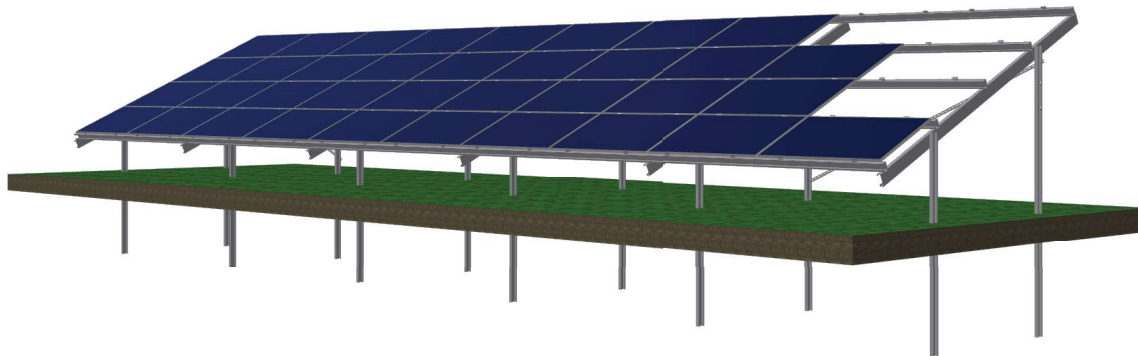
- **Material:**
structural steel of increased strength S320GD with anti-corrosion magnelis® coating acc. EN 10346, or hot dip galvanised acc. EN 1461
- **Construction fasteners:**
bolts class 8.8 hot dip galvanised acc. EN 1461
- **Panel mounting:**
clamps aluminium 6060
screws, nuts and washers ASTM 304

Options:

- Inverter mounting profiles
- Head plate mounting system for concrete
- Cable tray management system
- Tilt angle 20-30°



System ELPUK GM-2P 4H BI

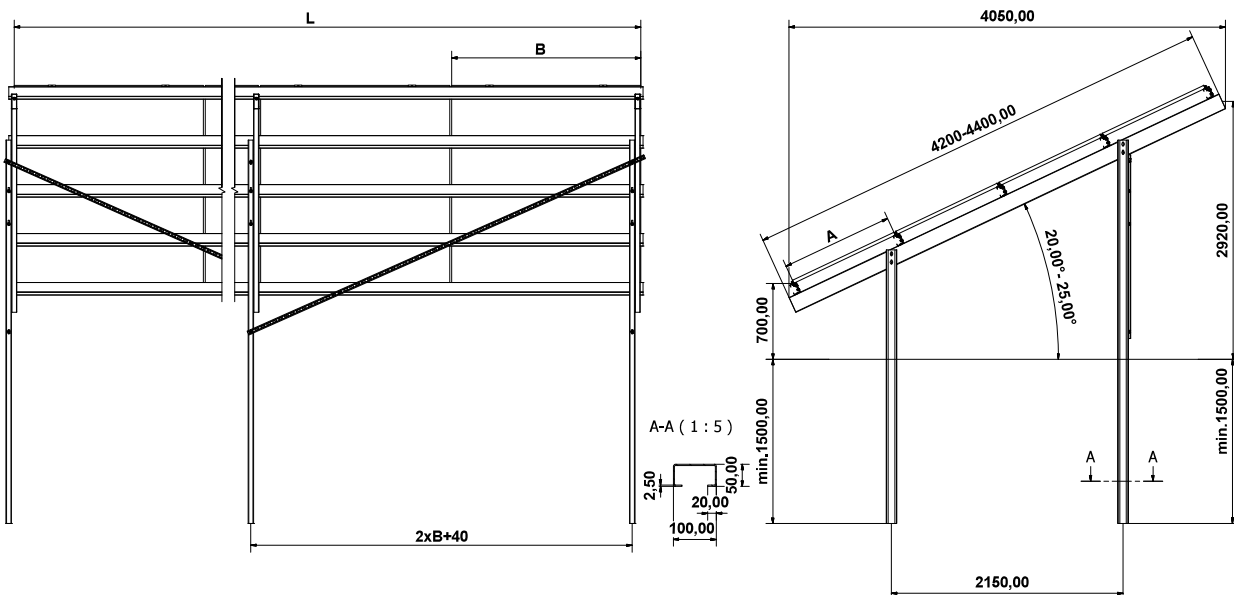


Informations:

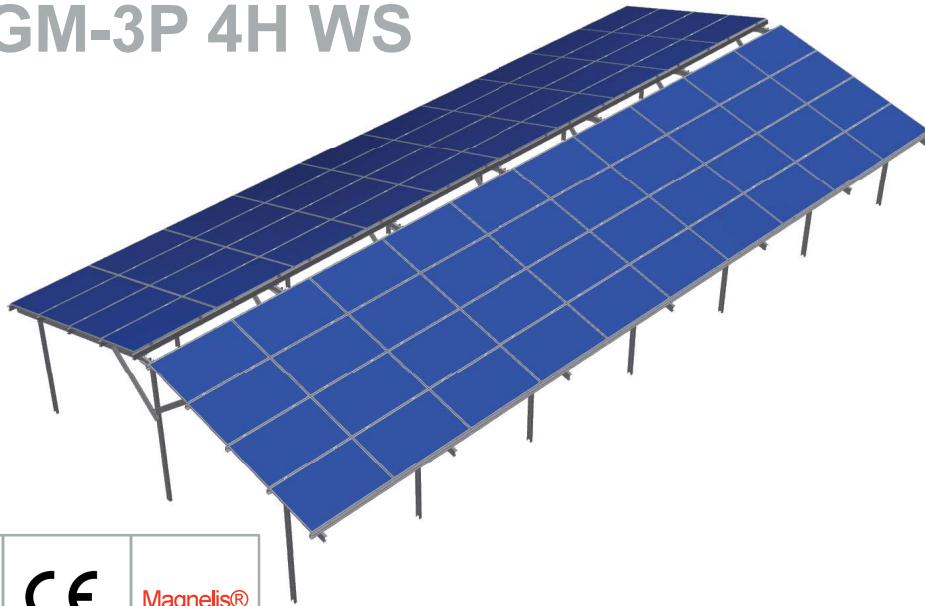
- **Material:**
structural steel of increased strength S320GD with anti-corrosion magnelis® coating acc. EN 10346, or hot dip galvanised acc. EN 1461
- **Construction fasteners:**
bolts class 8.8 hot dip galvanised acc. EN 1461
- **Panel mounting:**
clamps aluminium 6060
screws, nuts and washers ASTM 304

Options:

- Inverter mounting profiles
- Head plate mounting system for concrete
- Cable tray management system
- Tilt angle 20-30°



System ELPUK GM-3P 4H WS

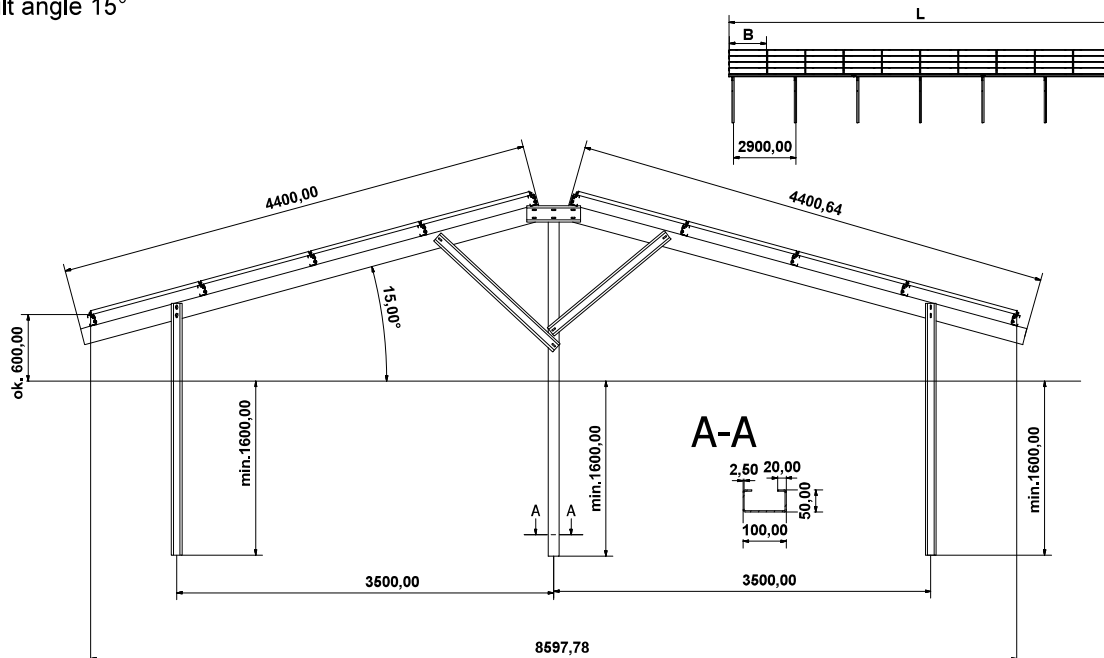


Informations:

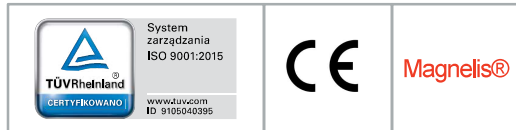
- **Material:**
structural steel of increased strength S320GD with anti-corrosion magnelis® coating acc. EN 10346, or hot dip galvanised acc. EN 1461
- **Construction fasteners:**
bolts class 8.8 hot dip galvanised acc. EN 1461
- **Panel mounting:**
clamps aluminium 6060
screws, nuts and washers ASTM 304
- **Tilt angle 15°**

Options:

- Inverter mounting profiles
- Head plate mounting system for concrete
- Cable tray management system



System ELPUK GM-3P 5H WS

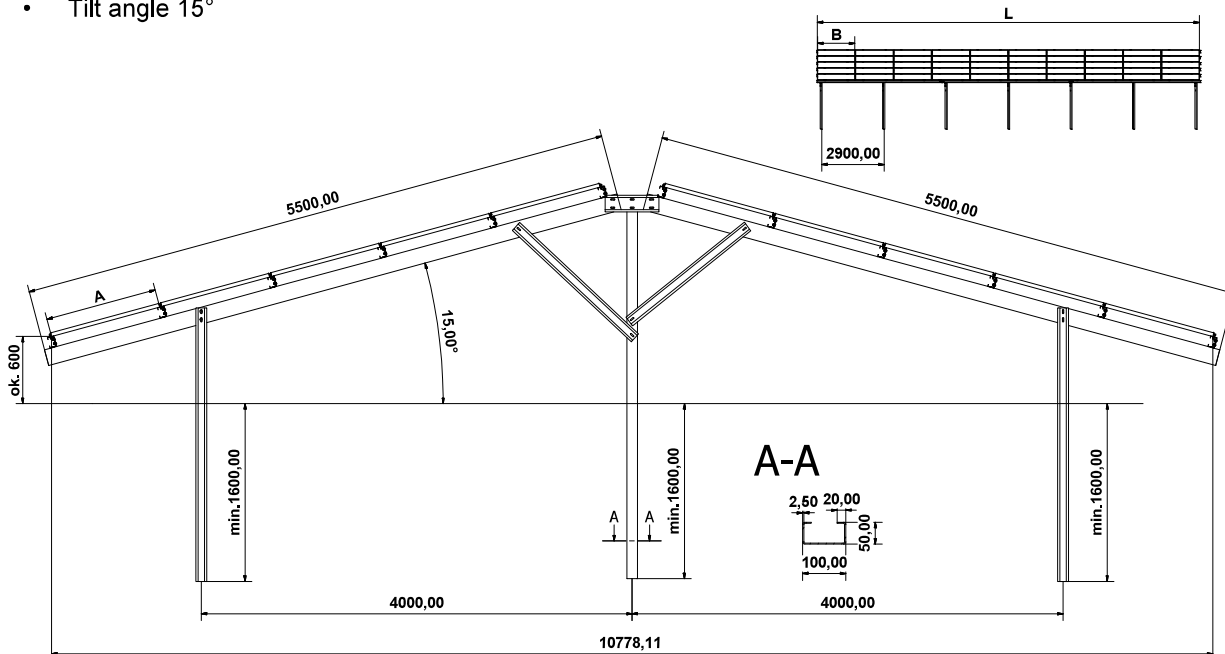


Informations:

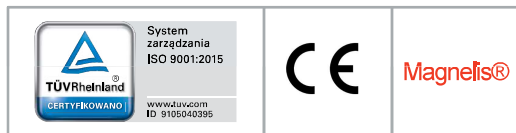
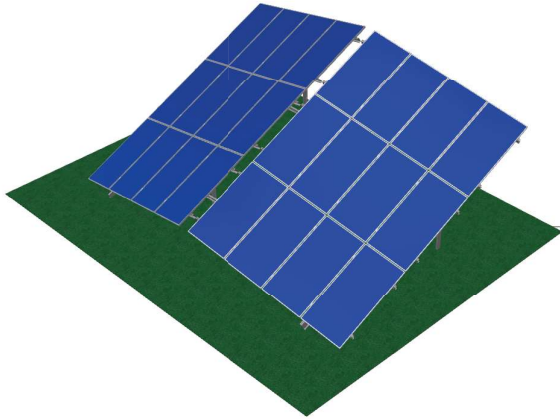
- **Material:**
structural steel of increased strength S320GD with anti-corrosion magnelis® coating acc. EN 10346, or hot dip galvanised acc. EN 1461
- **Construction fasteners:**
bolts class 8.8 hot dip galvanised acc. EN 1461
- **Panel mounting:**
clamps aluminium 6060
screws, nuts and washers ASTM 304
- **Tilt angle 15°**

Options:

- Inverter mounting profiles
- Head plate mounting system for concrete
- Cable tray management system



System ELPUK GM-4P 4H WS S

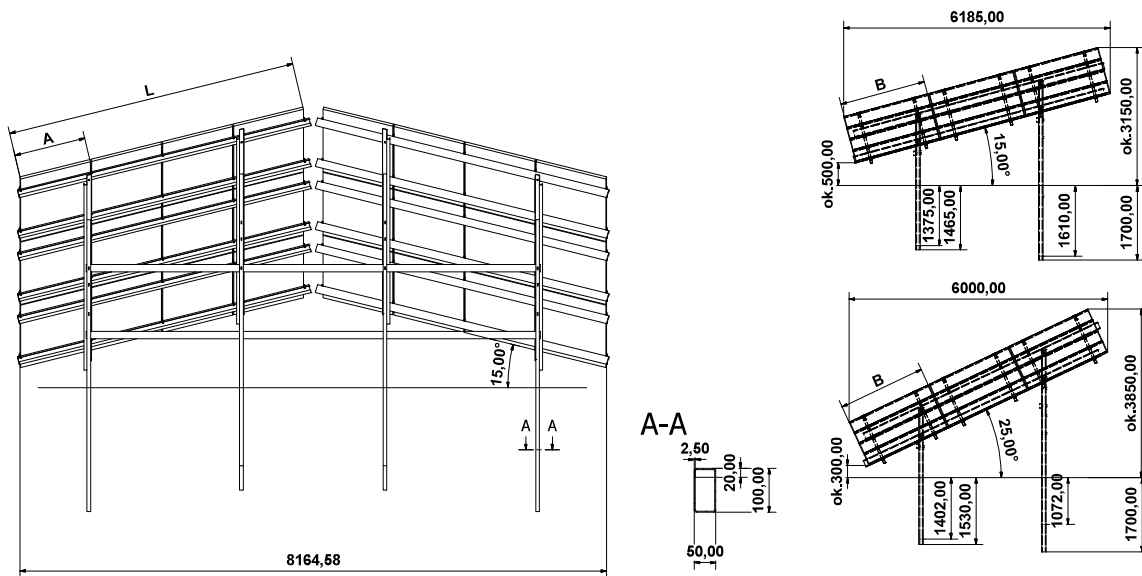


Informations:

- **Material:**
structural steel of increased strength S320GD with anti-corrosion magnelis® coating acc. EN 10346, or hot dip galvanised acc. EN 1461
- **Construction fasteners:**
bolts class 8.8 hot dip galvanised acc. EN 1461
- **Panel mounting:**
clamps aluminium 6060
screws, nuts and washers ASTM 304
- **Tilt angle 15°-25° south, 15° east-west**

Options:

- Inverter mounting profiles
- Head plate mounting system for concrete
- Cable tray management system



System ELPUK GM-CAR

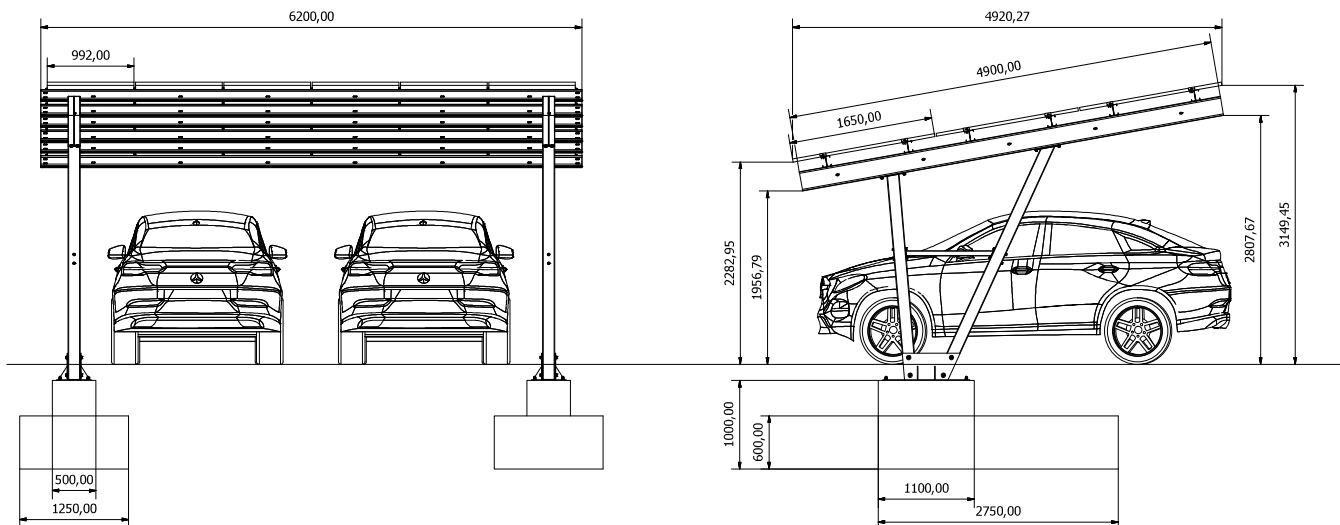


Informations:

- **Material:**
structural steel of increased strength S320GD with anti-corrosion magnelis® coating acc. EN 10346, or hot dip galvanised acc. EN 1461
- **Construction fasteners:**
bolts class 8.8 hot dip galvanised acc. EN 1461
- **Panel mounting:**
clamps aluminium 6060
screws, nuts and washers ASTM 304
- **Tilt angle 10°**

Options:

- Inverter mounting profiles
- Cable tray management system



Accessories

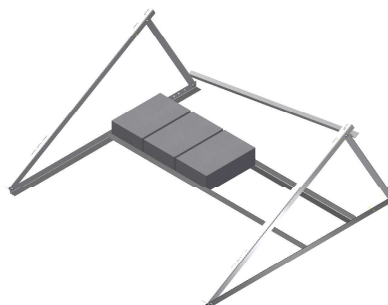
Support systems

Flat roof

Podpora FR-AL



Podpora FR-AL B



Pitched roof

Śruba dwugwintowa z płytką montażową SDM E



Uchwyt blacha na rąbek SDR E



Uchwyt dachówka ceramiczna SDC E



Modules clamps

Klema zewnętrzna MEK-G



Klema wewnętrzna MMK-G

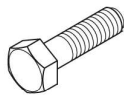


Klema zewnętrzna szkło-szkło MEK-RL



Klema wewnętrzna szkło-szkło MMK-RL





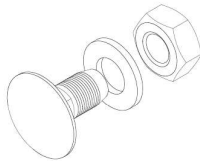
Hexagon head screw DIN 933

SES 8x20E, SES 8x20F, SES 8x30E, SES 8x30E
 SES 10x20E, SES 10x20F, SES 10x30E, SES 10x30E
 SES 12x20E, SES 12x20F, SES 12x30E, SES 12x30E
 SES 12x160E
 SES 16x180E



Hexagon socketed head screw DIN 912

IK 8x20E, IK 8x25E
 IK 8x30E, IK 8x35E
 IK 8x40E,
 IK 10x16E, IK 10x20E



Mushroom head square neck bolt DIN 603 + washer DIN 125 + nut DIN 934

KLS 10x20F
 KLS 10x20E



Spring washer DIN 127

FR B8E
 FR B10E
 FR B12E
 FR B16E



Hexagon nut DIN 934

SEM 8E
 SEM 10E, SEM 10F
 SEM 12E
 SEM 16E



Square nut DIN 557

SEMK 8E
 SEMK 10E



Hexagon nut with flange DIN 6923

SEMS 8E
 SEMS 10E



Washer DIN 9021

US 8x25E
 US 10x30E
 US 10x30F
 US 12x37E
 US 17x50E



Washer DIN 125

US 8x17E

US 10x24F, US 10x24E

US 13x24F, US 13x24E

Profiles

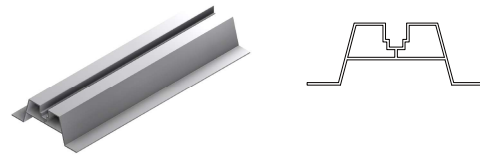
Support system

Profile aluminiowe

P 40-62AL

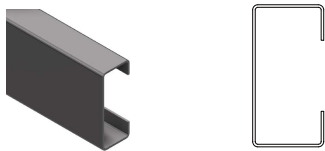


SDT AL, SDT7 AL

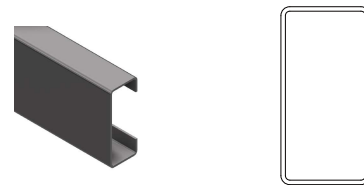


Profile stalowe

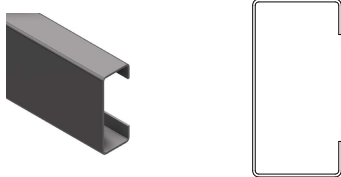
CP 80-40-20-1.5



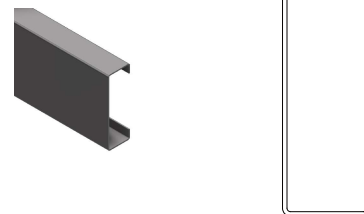
CP 100-50-20-2.5



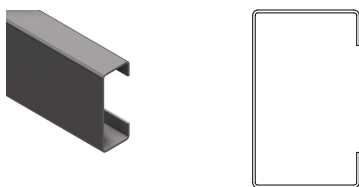
CP 100-50-20-1.5



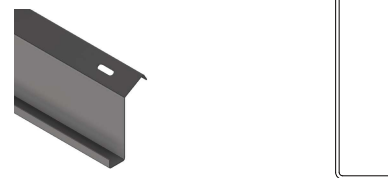
CP 150-50-20-2.5



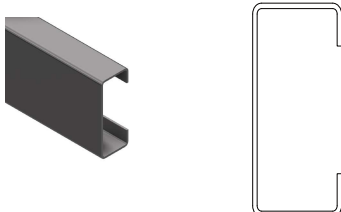
CP 100-60-20-1.5



LP 120-50-20-2.5



CP 125-50-20-2.5



LP 140-60-20-2.5

